

USER'S GUIDE

BACKEYE[®]
TFT LCD COLOUR Rear View Monitor

PLEASE READ CAREFULLY BEFORE USING AND KEEP FOR REFERENCE.

BRIGADE

Model: BE-835M

Owner's Record

The model and serial numbers are located at the rear.
Record the serial number in the space provided below.
Refer to these numbers whenever you call upon your dealer regarding this product.

Model No.: BE-835M

Serial No.: _____

WARNING

To prevent fire or shock hazard, do not expose the unit to rain or moisture.
To avoid electric shock, do not open the cabinet. Refer servicing to qualified personnel only.



This symbol is intended to alert the user to the presence of uninsulated "dangerous voltage" within the product's enclosure that may be of sufficient magnitude to constitute risk of electric shock to persons.



This symbol is intended to alert the user to the presence of important operating and maintenance (servicing) instructions in the literature accompanying the appliance.

You are cautioned that any changes or modifications not expressly approved in this manual could void your authority to operate this equipment.



INDEX

TFT LCD Color Monitor

- FEATURES ----- 4
- SUGGESTIONS ----- 5
- OPERATIONS ----- 6~9
- SYSTEM CONNECTIONS ----- 10
- INSTALLATION ----- 11
- SPECIFICATIONS ----- 12



FEATURES

TFT LCD Color Monitor

- **BE-835M is designed for the automotive rear vision system.**
- High Resolution 3.5" TFT LCD panel
- Free Input Voltage (DC 11V ~ DC 32V)
- NTSC / PAL Compatibility
- 1 Camera Input / 1 AV Input
- Automatic Picture Display (Triggering function)
- Built-in Speaker
- OSD menu with μ -com



SUGGESTIONS

TFT LCD Color Monitor

▪ **Safety**

- Use only DC 11V to 32V.
- In case that dust or liquid was soaked into the case, please turn off power and consult the experienced technician before using.
- Do not cover air duct for preventing from considerable rise in temperature.

▪ **Installation**

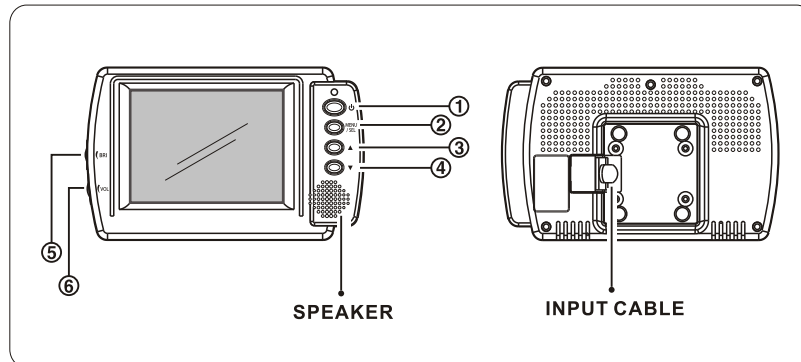
- Do not install the unit in an extremely hot or humid place (radiator, air duct, etc.) or in a place subject to direct sunlight, excessive dust, mechanical vibration or shock.

▪ **General cleaning information**

- If your vehicle has been parked in direct sun light resulting in a considerable rise in temperature inside the vehicle, allow the unit to cool off before operating.
- Clean the unit with a slightly damp soft cloth. Use a mild household detergent. Never use strong solvents such as thinner or benzine as they might damage the finish of the unit.



OPERATIONS



1. POWER



▪ STAND-BY mode

- When Red LED is turned on, it indicates the power is applied and it is on stand-by mode.

▪ POWER-ON mode

- Press POWER button to turn the monitor on.
- When the monitor is on, all buttons are backlit (Green LED).
- Press POWER button to turn the monitor off.

* When the trigger signal activated by the reverse gear is ON, the image of the connected camera will be displayed on the monitor screen automatically.

2. MENU / SEL

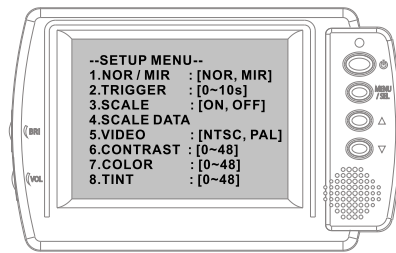


▪ IMAGE SOURCE SELECTION

- Press MENU / SEL button for less than 0.5 second to select CAM or AV in turn.
(CAM -> AV -> CAM ..)



OPERATIONS



* TINT is available only in NTSC video signal.

- In SETUP MENU, press this button to move the cursor (white letter) to each menu.
- Press MENU / SEL button for over 0.5 second to exit from SETUP MENU mode.
- In 4.SCALE DATA of SETUP MENU, press MENU / SEL button to move to the point that you want to set its distance.

* Selectable OSD menu disappears within 5 seconds if there is no new input sign.

3.4. UP / DOWN



- When the cursor is in one of SETUP MENU, press ▲ or ▼ to select one of the examples.

ex) In 1. NOR / MIR : [MIR, NOR], when [MIR] is in white, pressing this button changes [MIR] to [NOR].



- When the cursor is in each menu below, use ▲ or ▼ to set each digit for the most suitable setting.

2.TRIGGER	: [0~10s]
6.CONTRAST	: [0~48]
7.COLOR	: [0~48]
8.TINT	: [0~48]



OPERATIONS

5. BRIGHTNESS CONTROL



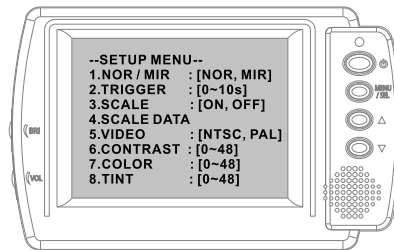
- Turn the dial to adjust the brightness level.

6. VOLUME CONTROL



- Turn the dial to adjust the volume level.

MORE INFORMATION FOR SETUP MENU



1. NOR / MIR : [NOR, MIR]

- Select NOR or MIR to see the image from the connected camera in normal or mirror view.

2. TRIGGER : [0~10s]

- Even though the trigger signal is OFF (which means the driver moves the Reverse gear to other position), the image from the camera will stay on screen for the time (trigger delay time) the user set in this menu.



OPERATIONS

3. SCALE : [ON, OFF]

- If SCALE is ON, when the user moves the gear to R position, the distance marker will show up on screen.

4. SCALE DATA

- The user can set the scale marker for the distance measure.

5. VIDEO : [NTSC, PAL]

- NTSC or PAL video mode is selectable to match the video type of the connected camera or other external video signal from RCA jack.

6. CONTRAST : [0~48]

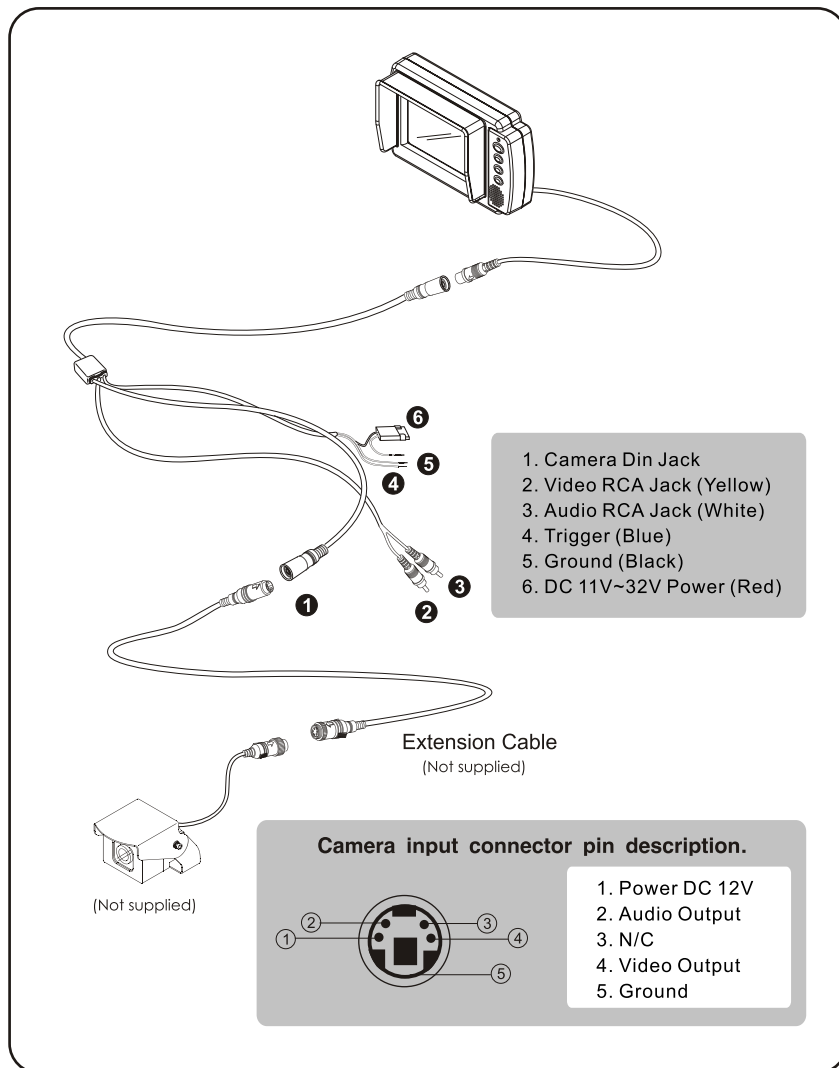
7. COLOR : [0~48]

8. TINT : [0~48]

- The user can adjust each CONTRAST, COLOR and TINT level in the range of 0~48 levels for the most suitable setting.
- TINT adjustment is available only in NTSC video system.



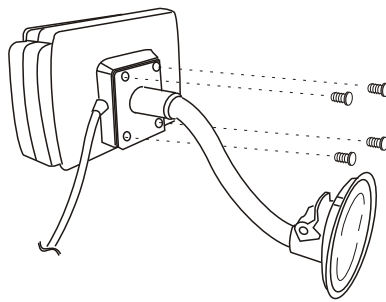
SYSTEM CONNECTIONS



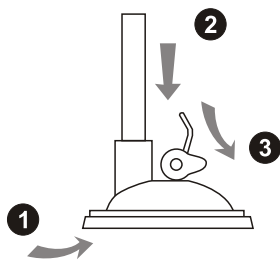


INSTALLATION

- **Assemble the suction cup mounting bracket to the monitor with the supplied screws.**

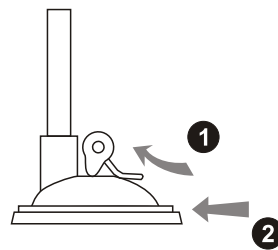


How to fix the bracket



1. Clean up the place
2. Pull out the air inside
3. Pull down the lever

How to take off the bracket



1. Pull up the lever
2. Pull up the suction rubber



SPECIFICATIONS

TFT LCD Color Monitor

▪ BE-835M

Power input	DC 11V~32V
Power cons.	Max 8Watt
Video system	NTSC, PAL standard signal
Sync. system	Internal
LCD panel size	diagonal 3.5 inch
Field of view	Top : 15°, Bottom : 35°, Left : 50°, Right : 50°
Resolution	960(W) X 234(H)
Color configuration	R.G.B stripe
O.S.D control	Mirror/Normal Image selection, Trigger delay time, Scale On/Off, Scale marker, Video system, Contrast, Color, Tint (NTSC system only)
Power connector	8 Pin mini Din connector
Speaker	0.2Watt Max
Finish	Black (PCABS)
Operating temp.	-10°C~+50°C
Storage temp.	-25°C~+80°C
Ambient condition	Indoor Use Only
Vibration	5.5 G
Dimensions	130(W) x 82 (H) x 50(D) mm
Weight	Approx. 0.3Kg
Supplied accessories	Suction cup mounting bracket (1) Screw kit (1) Instruction manual (1) Sun visor (1)



THIS SYMBOL MEANS DO NOT DISPOSE OF
AS MUNICIPAL WASTE.
RE-USE OR RECYCLE WHEREVER POSSIBLE.
ELECTRICAL / ELECTRONIC COMPONENTS MAY
CONTAIN SUBSTANCES WHICH ARE HARMFUL TO
THE ENVIRONMENT.
FOR ENVIRONMENTALLY SOUND METHODS OF
DISPOSAL, PLEASE CONTACT YOUR LOCAL
GOVERNMENT AUTHORITY.

Brigade Electronics plc,
Kent, England
Tel: +44 (0)870 774 1500
www.brigade-electronics.co.uk